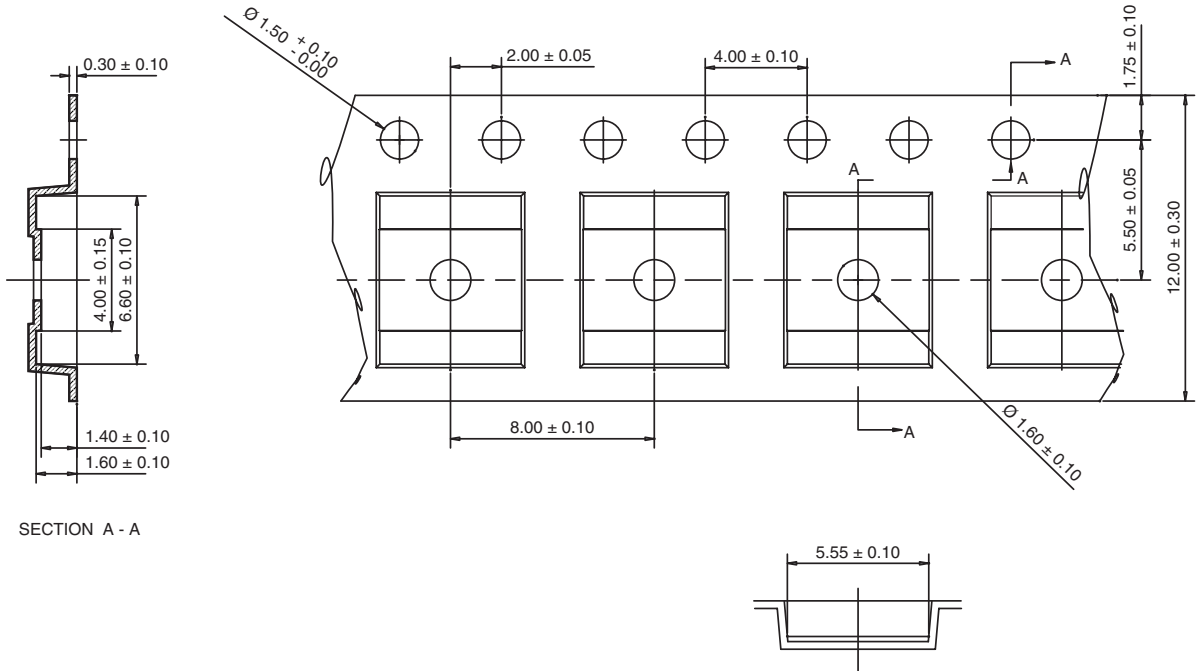


POWERPAK® SO-8L



SECTION A - A

Notes:

1. 10 sprocket hole pitch cumulative tolerance ± 0.2 mm
2. Camber not to exceed 1 mm in 100 mm
3. Material: Black conductive polystyrene
4. Pocket position relative to sprocket hole measured as true position of pocket, not pocket hole
5. Pocket center and pocket hole center must be same position

| QUANTITY PER REEL | |
|-------------------------------|------|
| T1 | 3000 |
| ECN C-07561-Rev. A, 08-Oct-07 | |
| DWG: 93-5259-X | |